

# FLUA®



**VISOR S**



---

The series adopts trimless design which makes itself perfectly blended with ceiling after installation, and creates an illusion that only light comes out from the ceiling but no sight of lamps when it is on. According to the decoration design requirements, round and square styles are developed for customers' option. Each style has 3 sizes and different kinds of watt to meet different lighting demands. 2 functions are developed: direct and oblique lighting structures.

---

<b>Designer</b>	XM-R
<b>Sales status</b>	On Sale
<b>Product classification</b>	Interior
<b>Model</b>	189212EA

---

[WWW.FLUA.COM](http://WWW.FLUA.COM)

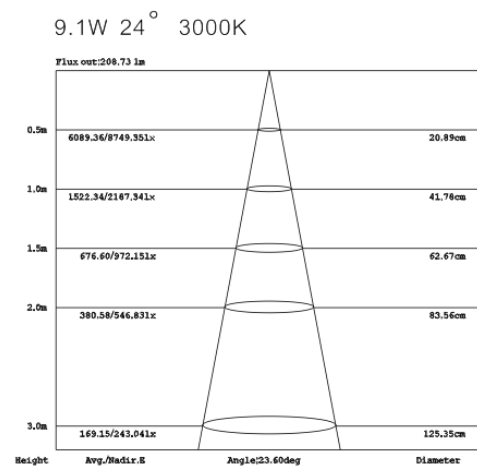
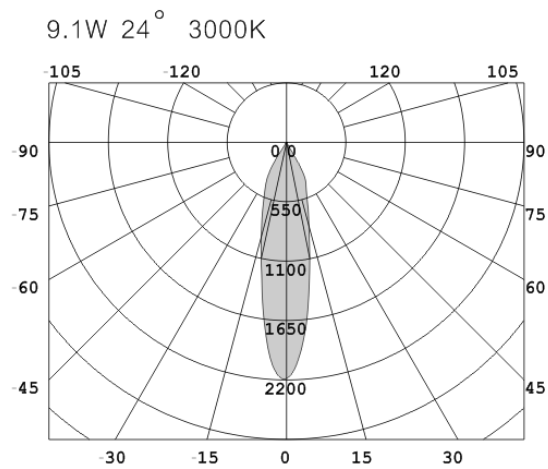
## Installation information

Area	Ceiling
Method	Recessed
Cut hole size	Φ 90mm
Embedded height	/

## Technical general

System power	10.7W
Flux	667lm
Beam angle	24°
Material	Aluminum
Appearance color	PAW
Size	Φ 93*74mm
Adjustable angle	Not available
Ingress protection	IP20
Input voltage	220-240VAC
Electrical level	Class II

## Photometric graph



## Electrical parameters

Driver brand	FLUA
Driver type	FLUA012H0500NCMA
Electrical installation	External

---

## Light source parameters

Brand	FLUA
Type	LT-A3009A
Power	9.12W
Light color	WW
Color temperature	3000K
CRI	90

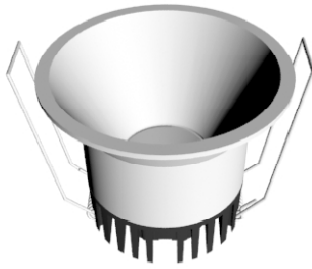
---

## Other options

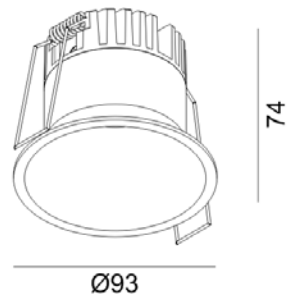
Beam angle	/
Color temperature	4000K 5000K
Color	/
Appearance color	PAB
Dimming model	189212EDT
Dimming mode	TRIAC dimming
Driver brand	HEP
Driver type	LMTC10W500-Z
Input voltage	220-240VAC
Dimming model	189212EDA
Dimming mode	DALI
Driver brand	LTECH
Driver type	SE-12-350-700-W1D
Input voltage	100-240VAC

---

## 3D module



## Line drawing



Unit: mm

## Instructions

